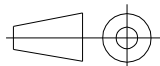
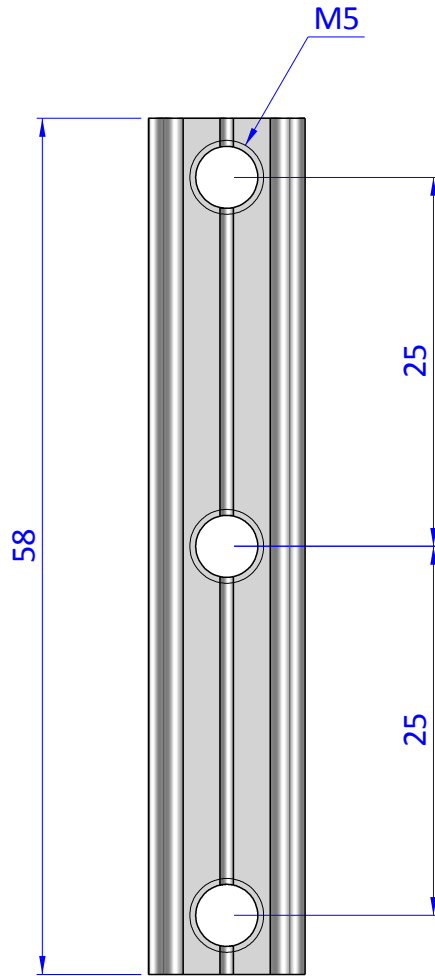
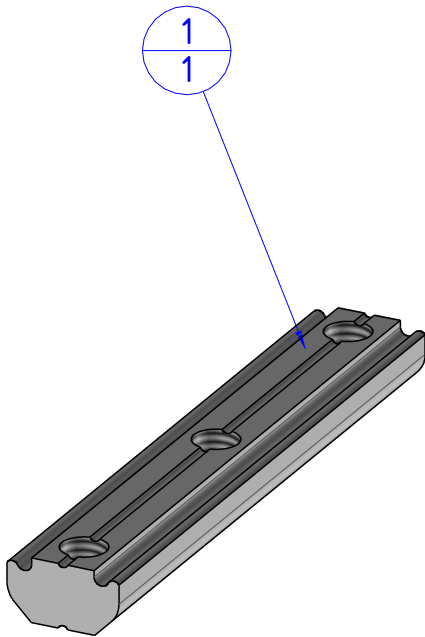
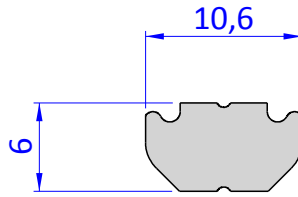


THE PROPERTY OF THE DRAWING IS ESTABLISHED BY LAW. IT IS FORBIDDEN TO PRODUCE OR SHOW IT TO THIRD PART. WITHOUT A WRITTEN AGREEMENT.

Item	Name	Q.ty
1	GWP.5.25.3	1



DESIGNED FROM FPSERVICES		REVIEW A / 0
DATE 12/10/2018	WEIGHT 0,023kg	
CODE CA.GWP.5.25.3		

Format A4
UNI 936-76

GENERAL TOLERANCE UNI - ISO 2768 CLASSE f

DESCRIPTION CA.GWP.5.25.3
